

AC centrifugal blower

Dual inlet, forward curved



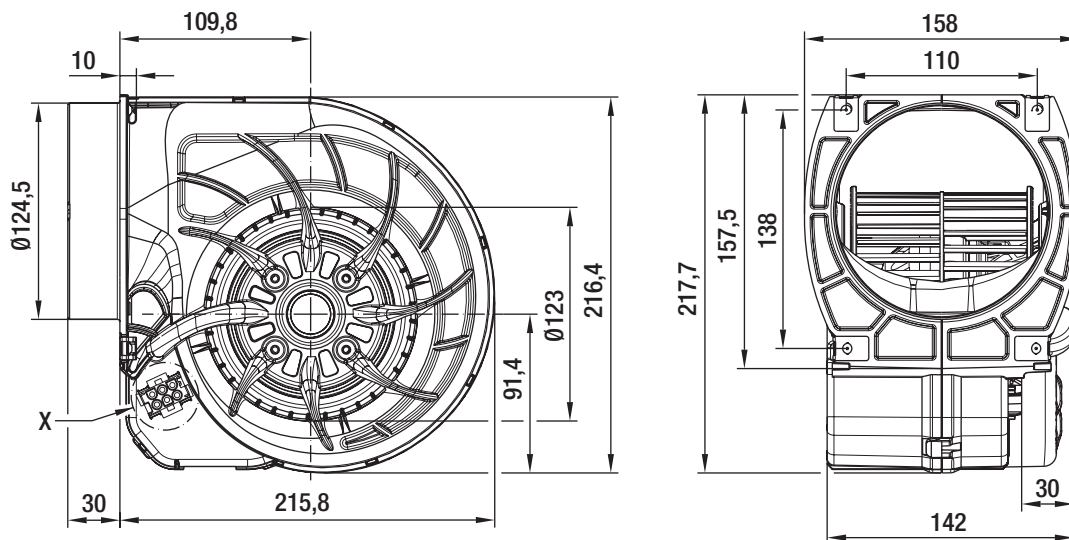
- **Impeller material:** Polypropylene, color: natural (in accordance with IEC 695 T2-" and EN 60335-2-31)
- **Housing material:** Talcum-reinforced polypropylene, color: black (in accordance with IEC 695 T2-2 and EN 60335-2-31)
- **Mount:** Via 4 sheet-metal nuts (for threading according to EN ISO 1478-ST4.8), min. screw length 14.5 mm + thickness of mount material

Nominal data

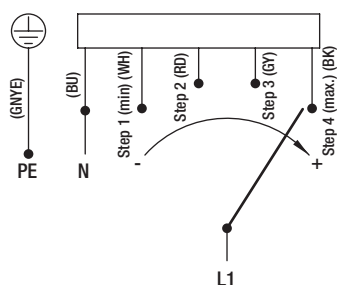
Type	Motor	Voltage 1 - VAC	Frequency Hz	Air flow m³/h	Speed 1/min	Power consumption W	Current draw A	Capacitor capacity uF/V	Sound pressure level dB(A)	Operative range 60Hz Pa	Weight kg
D2E140HR9707	M2E068CF	230	60	430	1050	130	0.58	2.0 / 400	56	0 .. 470	2.3

Subject to modification

Specific drawing



Connection illustration

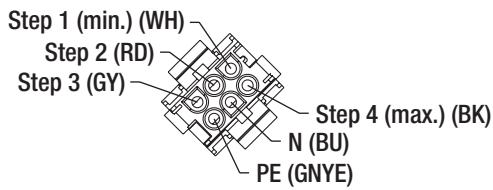


The switch must break the circuit when speed is changed.

AC centrifugal blower

Dual inlet, forward curved

Connector pin assignment



Detail X:

Coded plug system AMP Universal Mate-N-Lok

Connector shell AMP 926 682-3

6x plug pin AMP 926 886-1

Technical description

- **Impeller material:** Polypropylene, color: natural (in accordance with IEC 695 T2-" and EN 60335-2-31)
- **Mount:** Via 4 sheet-metal nuts (for threading according to EN ISO 1478-ST4.8), min. screw length 14.5 mm + thickness of mount material
- **Bearings:** Maintenance-free ball bearings
- **Capacitor:** FPU (P2) integrated into the terminal box, completely wired and ready to be plugged in
- **Operating mode:** S1
- **Protection class:** I
- **Approvals:** VDE, CE; UL on request
- **Housing material:** Talcum-reinforced polypropylene, color: black (in accordance with IEC 695 T2-2 and EN 60335-2-31)
- **Design:** 4-stage blower with SAL external rotor motor (mounted on one side using brackets) and integrated terminal box
- **Direction of rotation:** Left, looking at connector shell
- **Safety requirements:** In accordance with EN 60335-2-31 with integrated thermal overload protector and integrated FPU (P2) capacitor
- **Insulation class:** "F"
- **System of protection:** IP 44